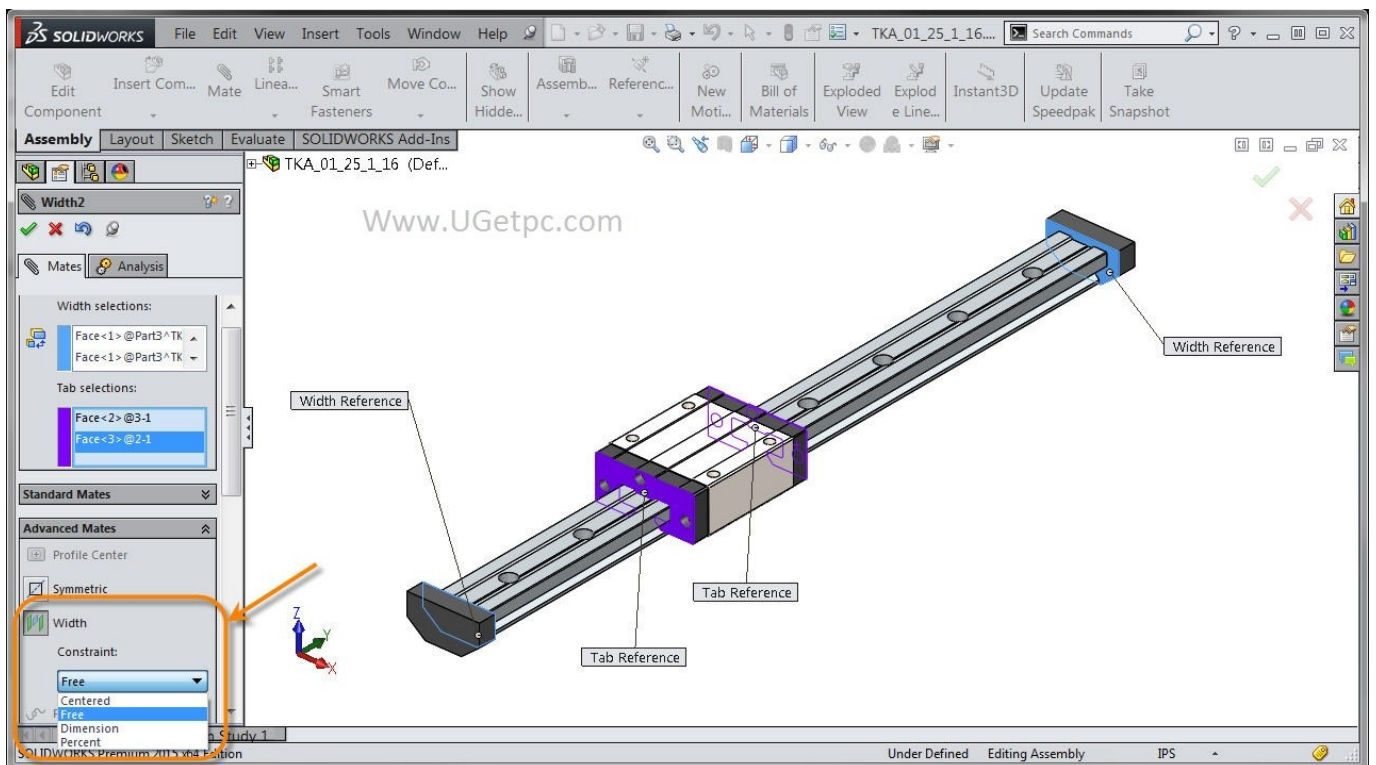


DOWNLOAD



[Torrent Solidworks 2014 Download](#)



[Torrent Solidworks 2014 Download](#)

DOWNLOAD



27 Jan 2018 . Download InfiniteSKILLS - Solidworks 2014 torrent from other category on Isohunt. Solidworks 2016 crack torrent is here. Download full setup.

3 Mar 2018 . The following are download links made available for a full installation data sets that can be used for any installation of SOLIDWORKS.

31 Mar 2018 . SolidWorks 2016 32 bit and 64 bit ISO. Solidworks 2016 32 bit free download. Solidworks 2016 crack torrent is here. Link torrent SolidWorks.

9 Nov 2017 - 15 min - Uploaded by Mr . StuDylink download: fix toolbox: .youtube.com .

1 May 2015 . Solidworks 2017 Free Download Full Version With Crack It is exhaustive altering programming that is intended to make . Use this link and download the software (assuming that you know how to use a torrent).

solidworks

solidworks free download

solidworks 2018

solidworks world 2019

solidworks tutorial

solidworks viewer

solidworks price

solidworks for mac

solidworks youtube

solidworks student license

solidworks download

solidworks student

solidworks certification

solidworks 2019

solidworks pdm

<http://racomreco.zapto.org/123382.html>

<http://mencoziggfi.sytes.net/123994.html>

<http://badcentcogrie.ddns.net/122907.html> 908adb44bc

[Maa Ke Aansu full movie english version subtitles download](#)

[walkthrough tomba 2 versi bahasa indonesia](#)

[free download football manager 2010 full version](#)

[Yeh Hai Pyar Ka Mausam free download](#)

[Mr Joe B. Carvalho full movie torrent](#)

[milady cosmetology book pdf download](#)

[tsubasa chronicles sonic boom mp3 download](#)